



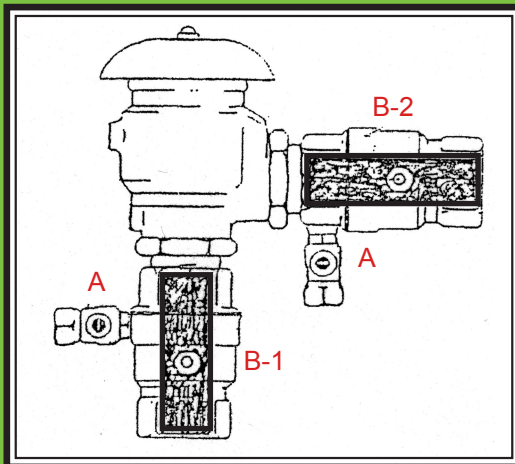
JUDSON IRRIGATION

3901 S. 6th Street, Suite C
Lincoln, NE 68502

(402) 420-6277

SPRING TURN ON

1. Close the petcocks (A) on the pressure vacuum breaker.
2. Open the supply valve (B-1) and close supply valve (B-2) on the pressure vacuum breaker.
3. Close the manual drain faucet in the basement.
4. Open the main sprinkler supply valve in the basement.
5. Open the supply valve (B-2) on the pressure vacuum breaker.
6. Program the controller as desired and set the mode switch to the AUTO or ON position.



JudsonIrrigation.com